



NEO/NORGE

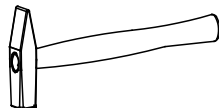
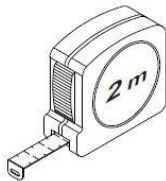
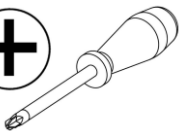
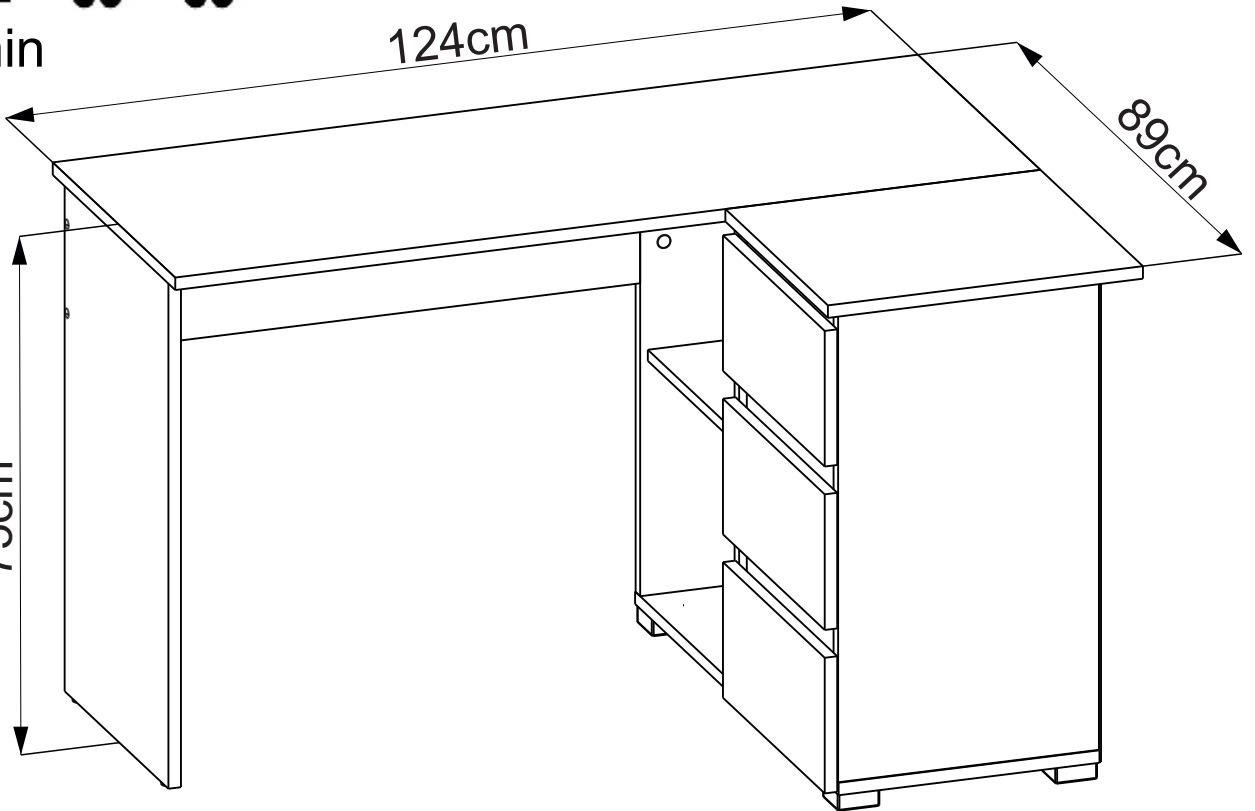


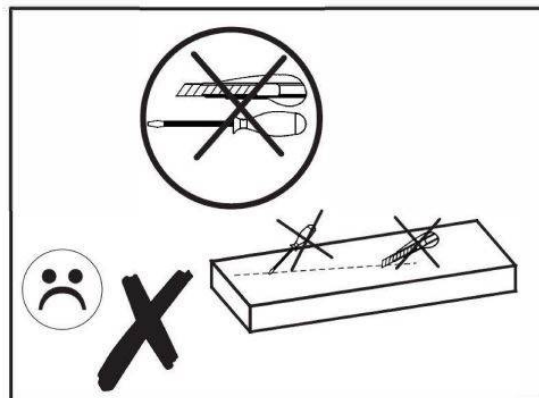
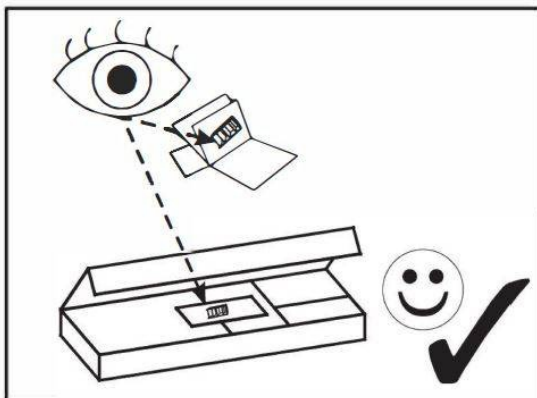
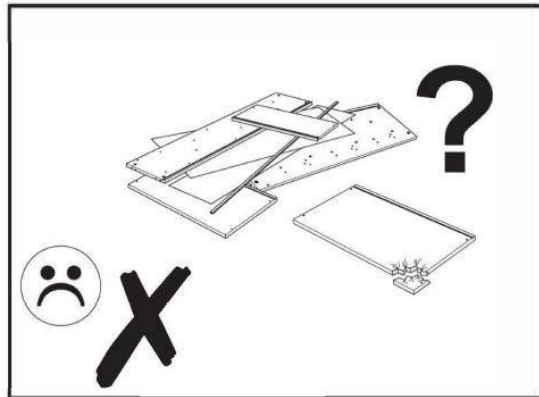
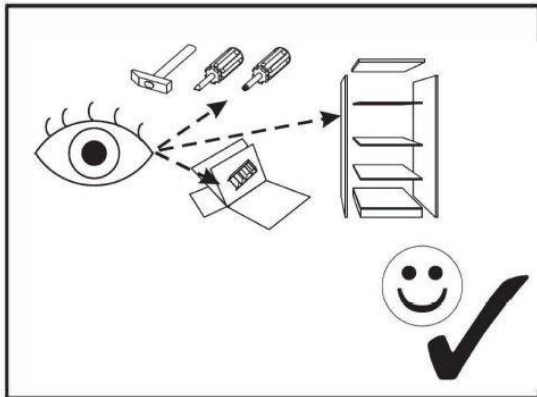
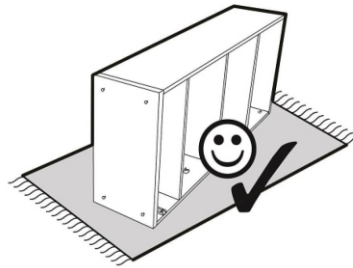
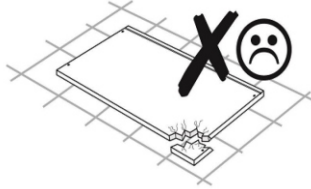
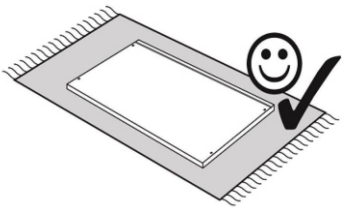
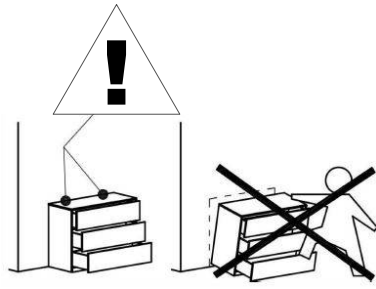
90min

124cm

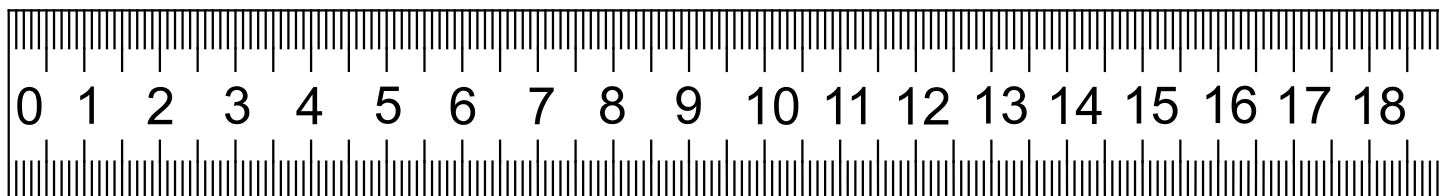
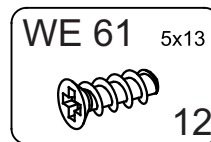
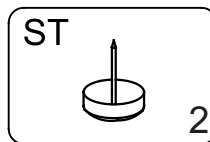
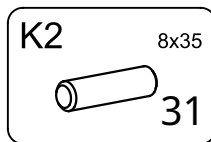
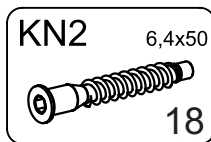
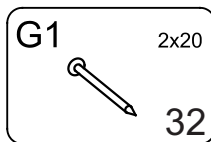
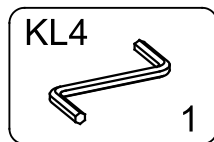
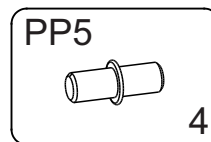
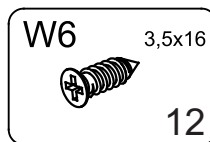
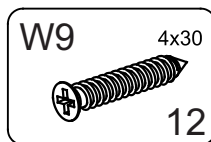
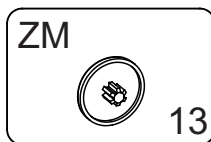
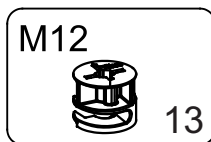
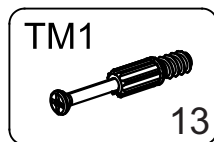
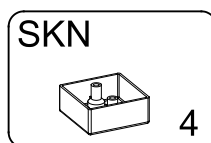
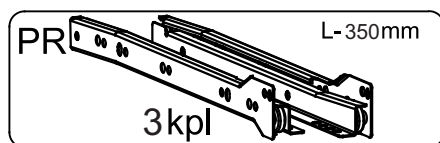
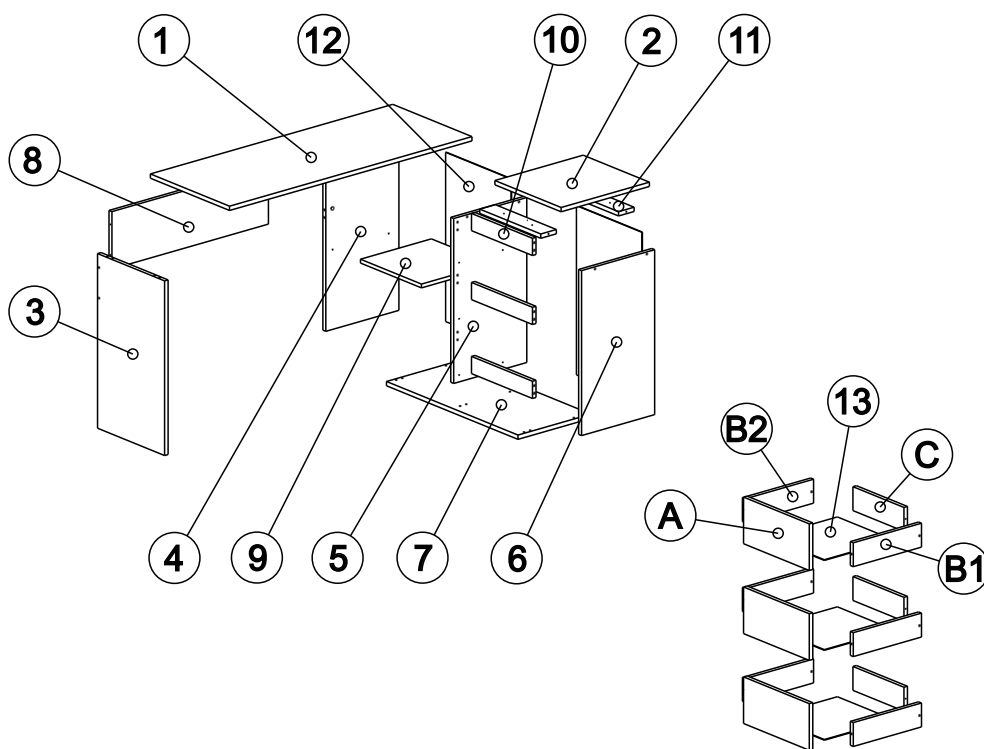
89cm

75cm

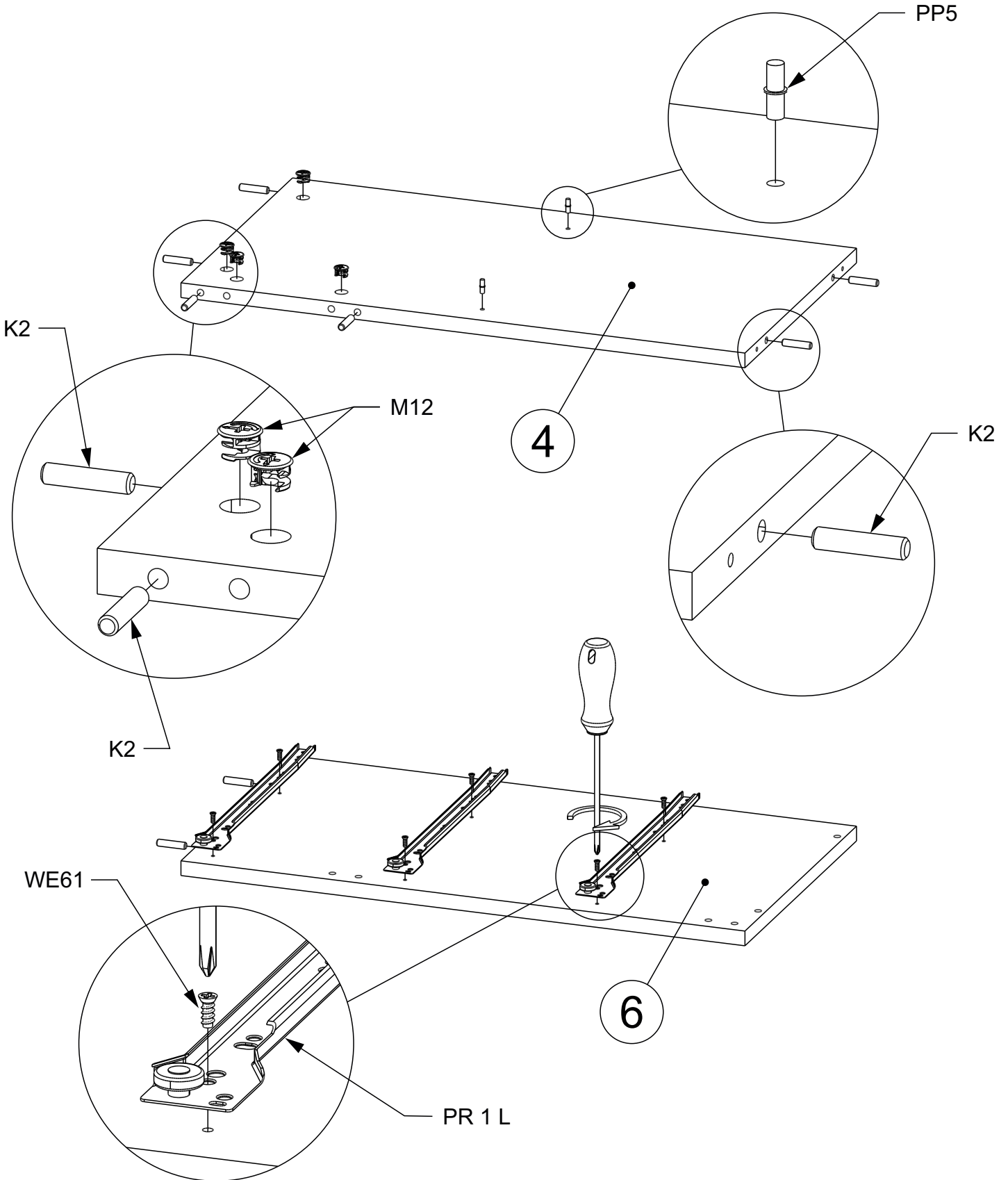
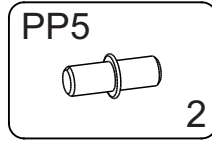
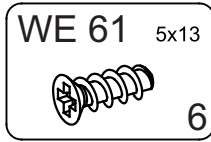
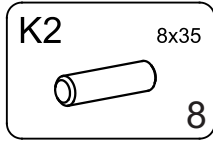
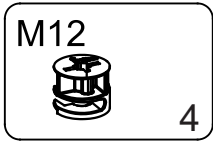
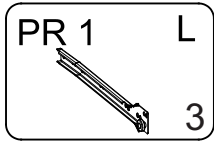
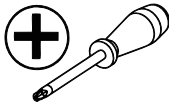




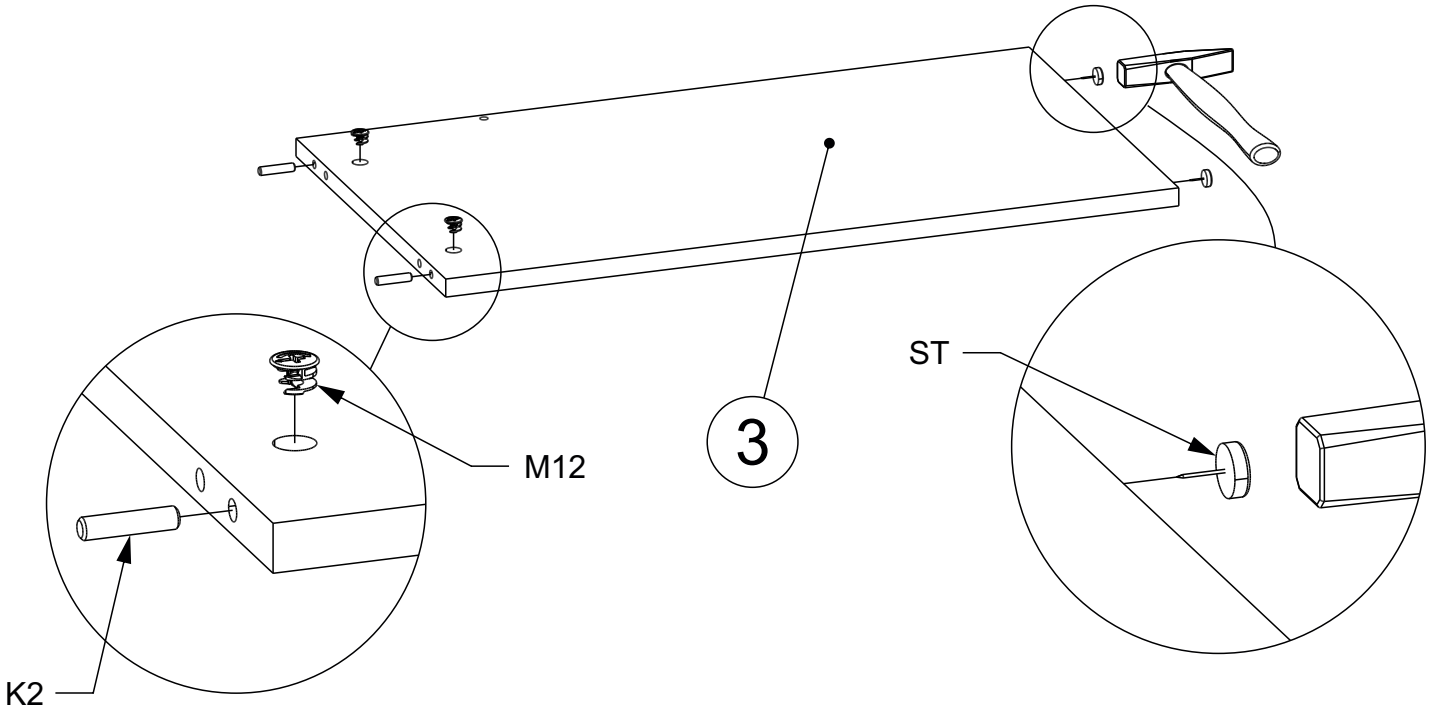
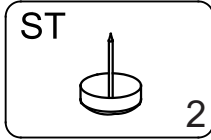
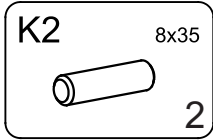
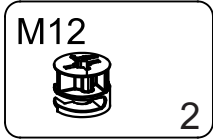
1	1244x484x18mm	1
2	405x453x18mm	1
3	730,5x410x18mm	1
4	375x690x18mm	1
5	375x690x18mm	1
6	375x690x18mm	1
7	375x804x18mm	1
8	240x803x18mm	1
9	364x373x18mm	1
10	72x373x18mm	3
11	373x80x18mm	2
12	400x706x3mm	2
13	348x352x3mm	3
A	402x195x18mm	3
B1	350x100x18mm	3
B2	350x100x18mm	3
C	312x100x18mm	3



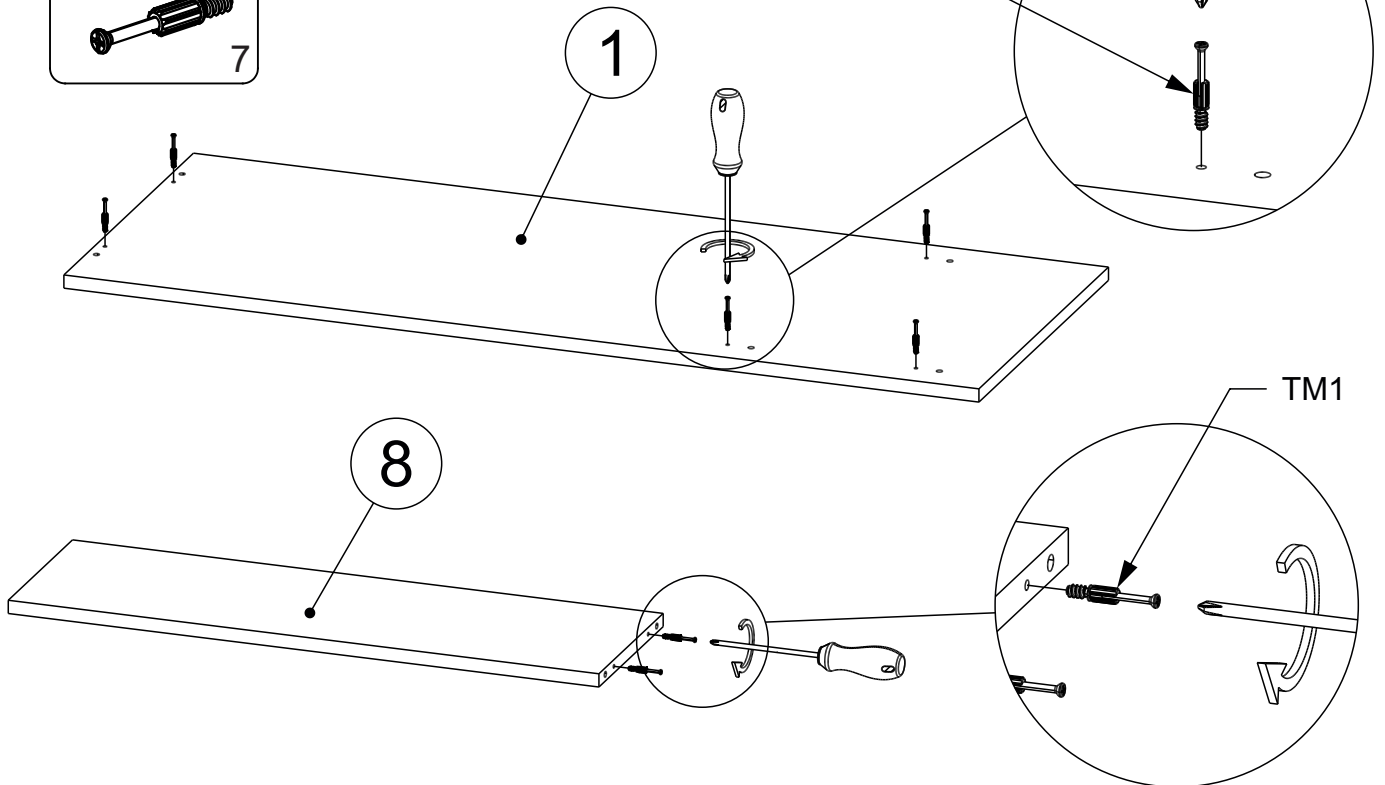
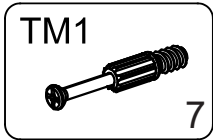
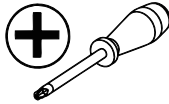
1



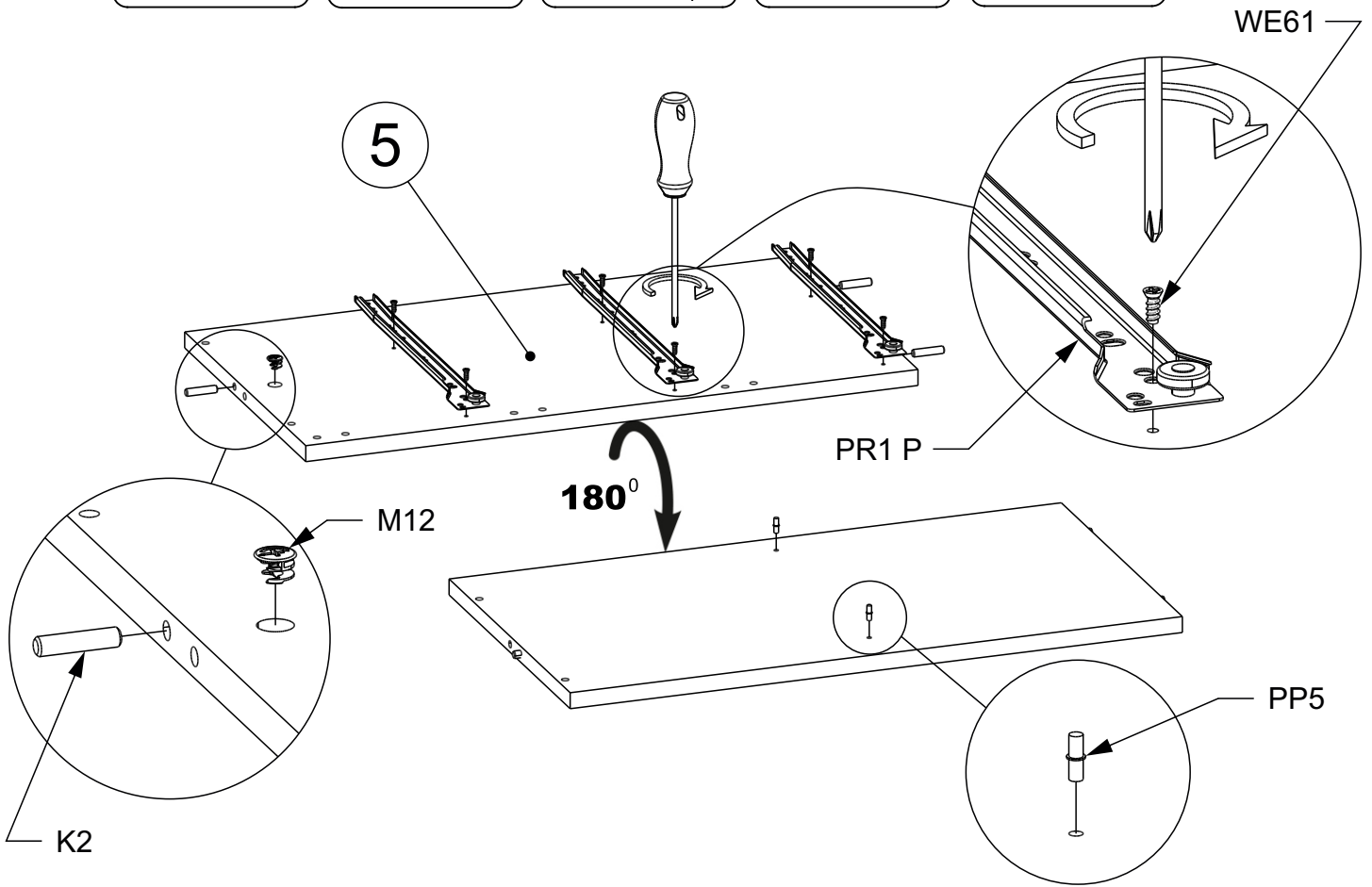
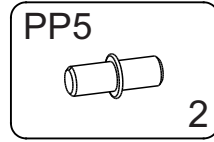
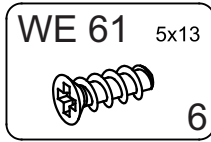
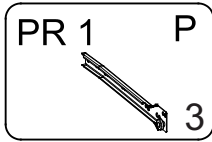
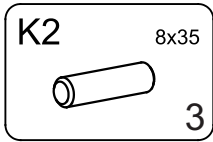
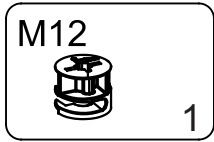
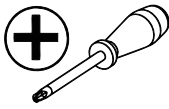
2



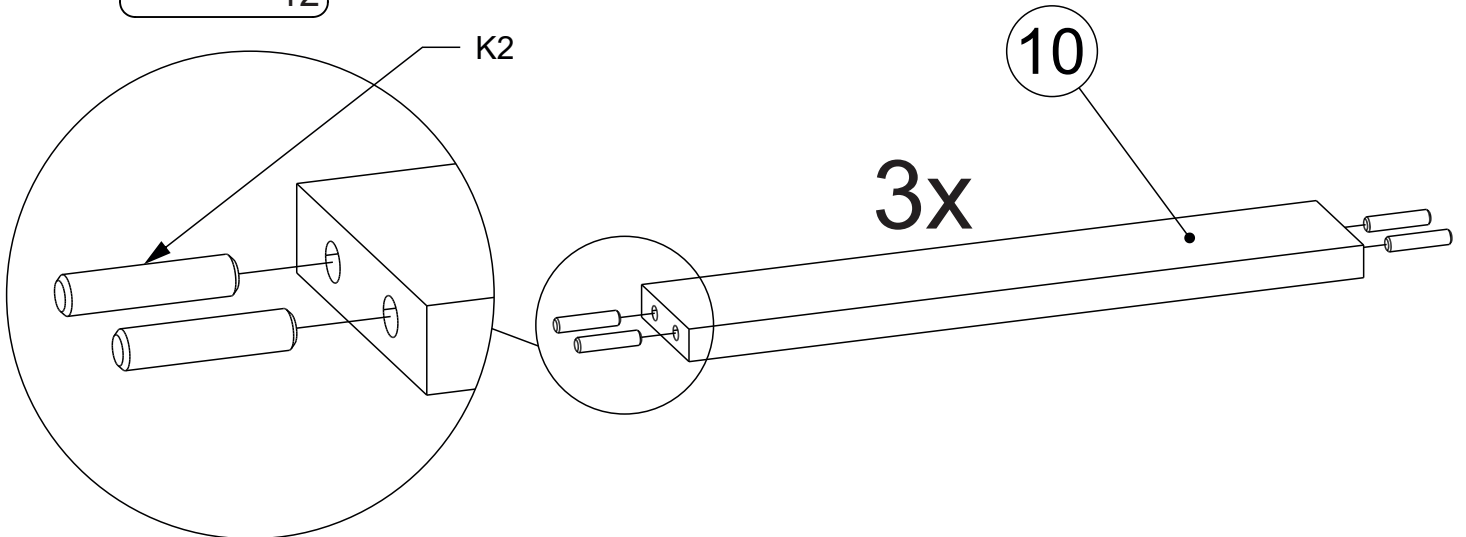
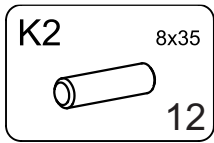
3



4

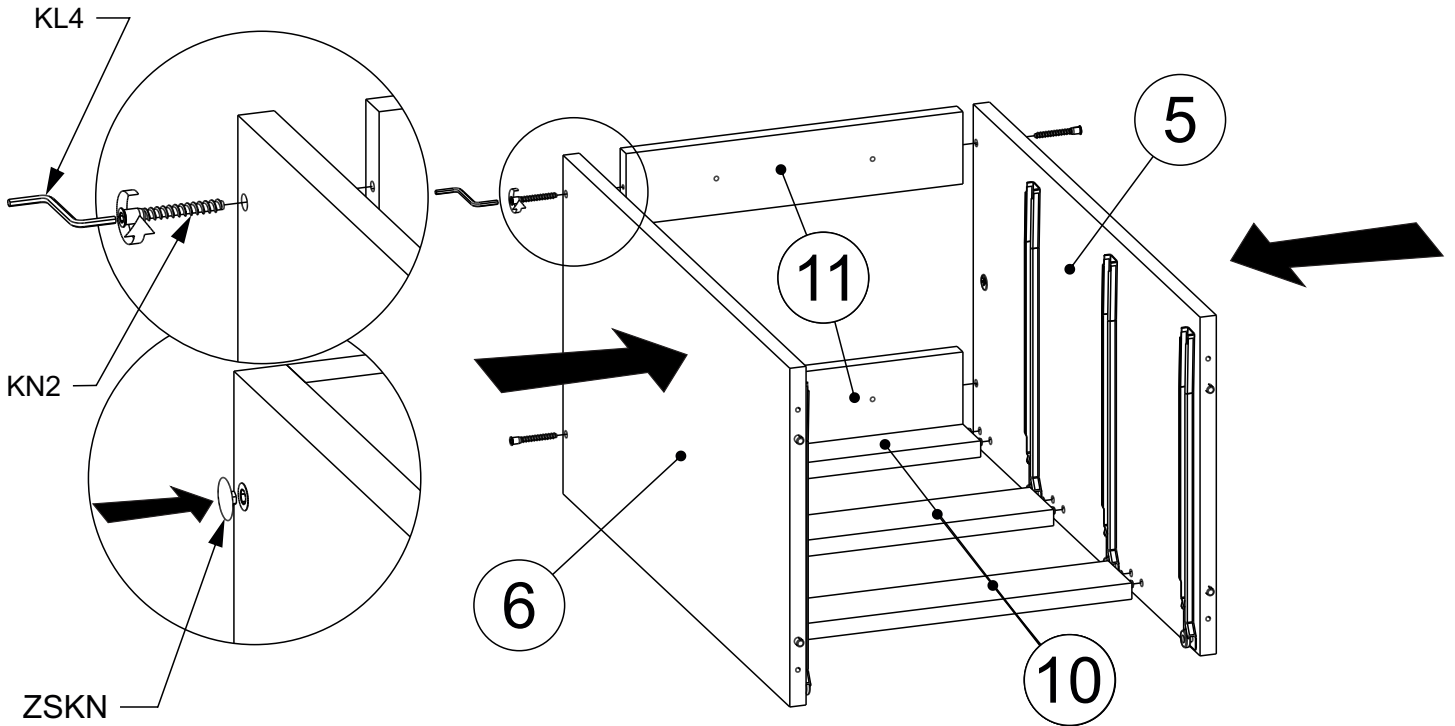
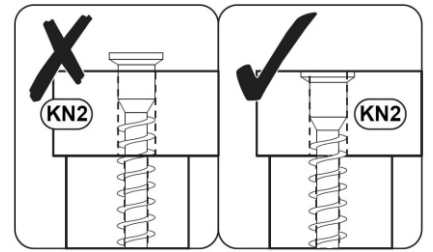
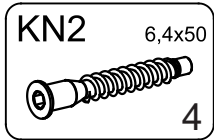
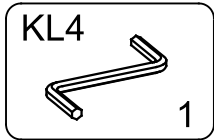


5

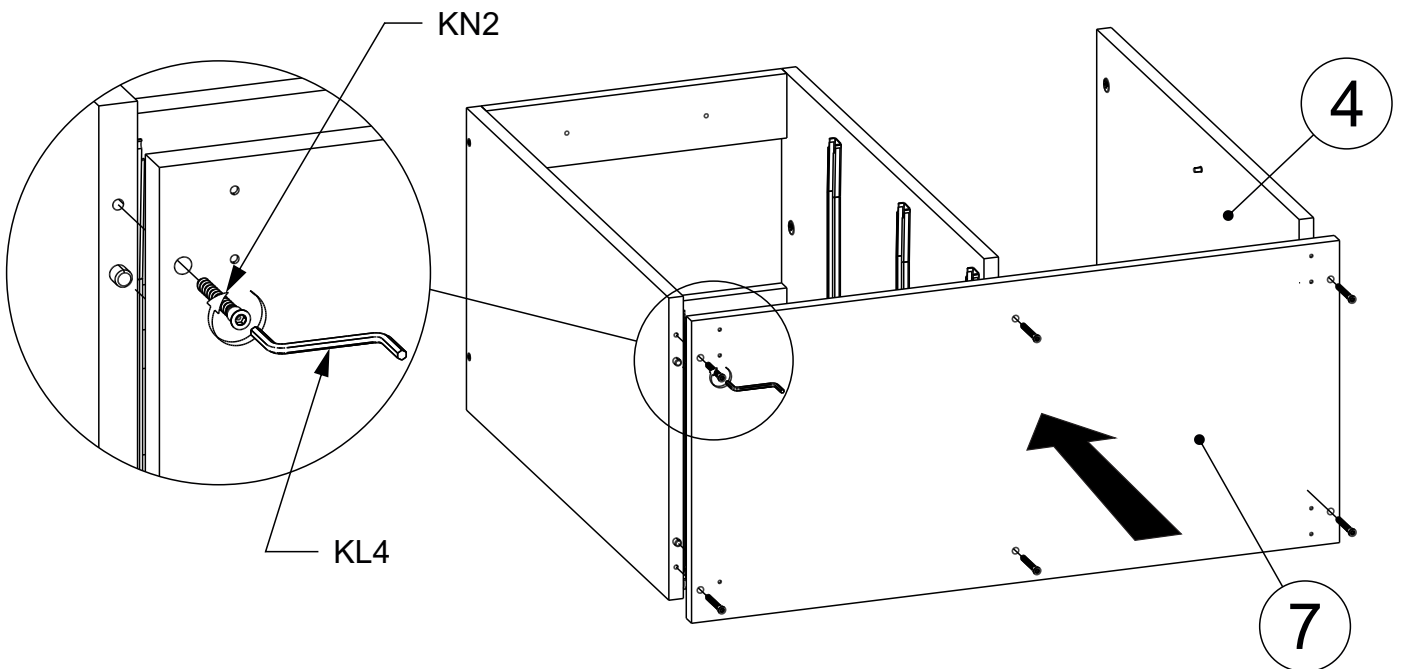
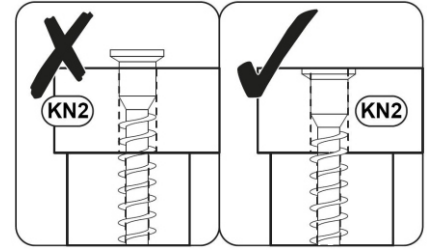
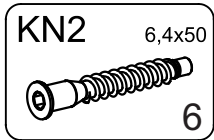
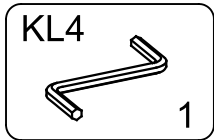


6

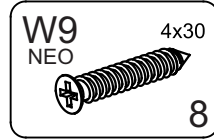
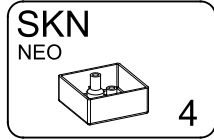
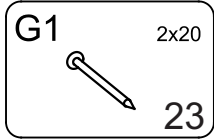
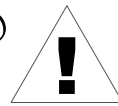
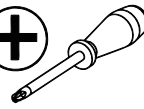
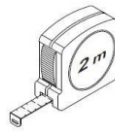
6



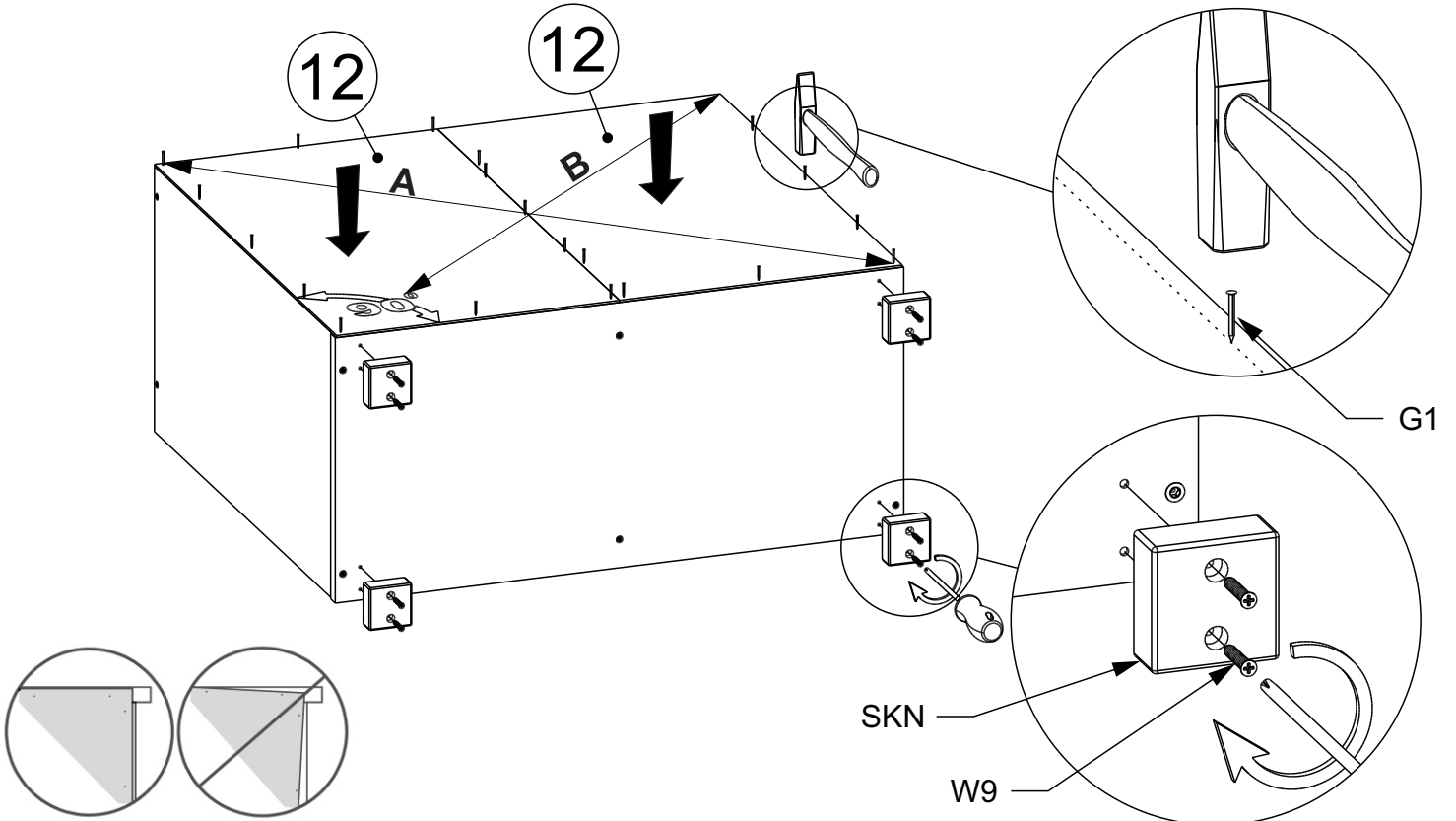
7



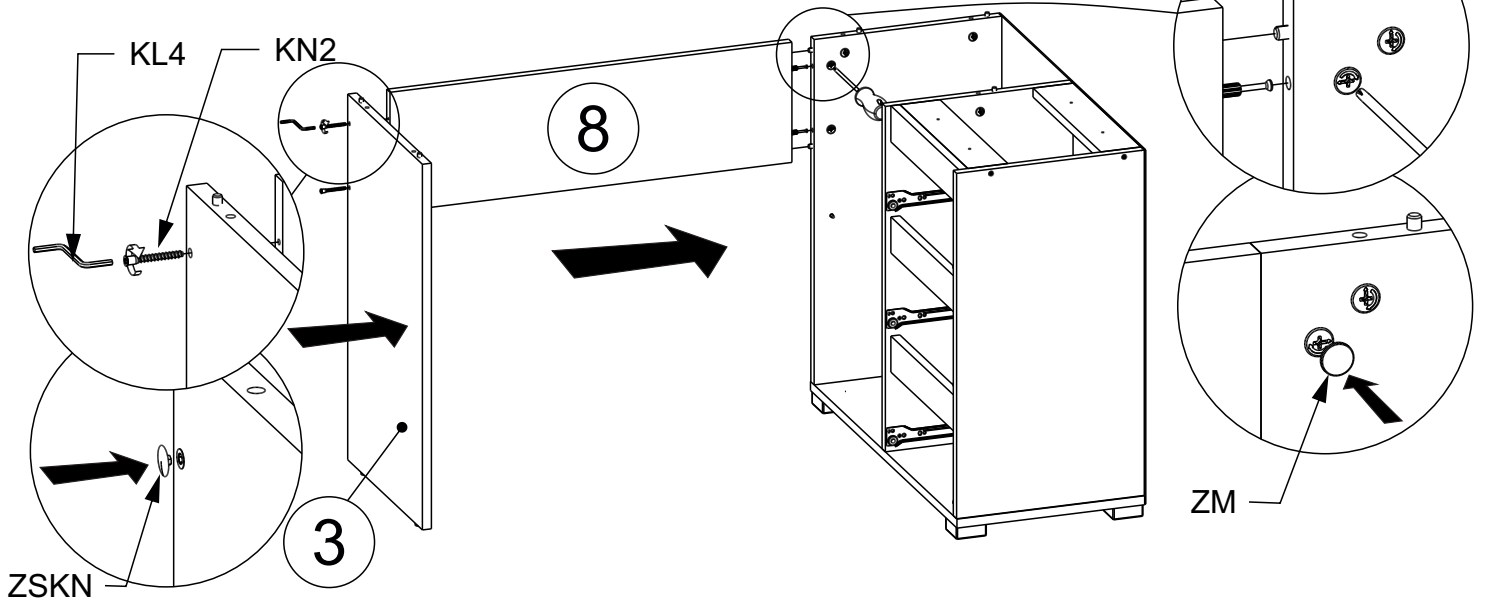
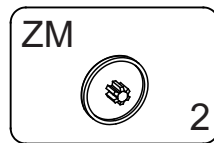
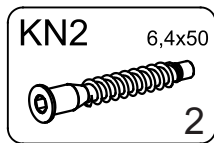
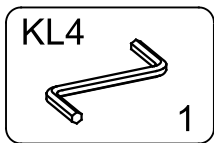
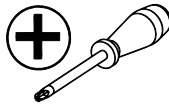
8



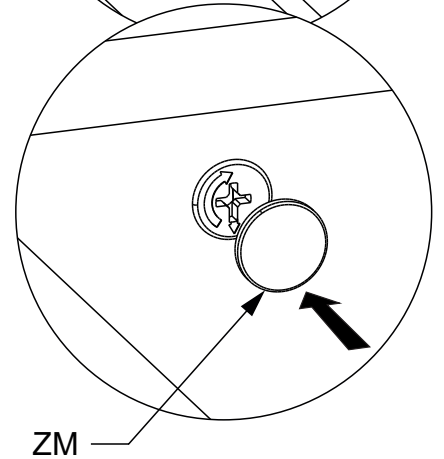
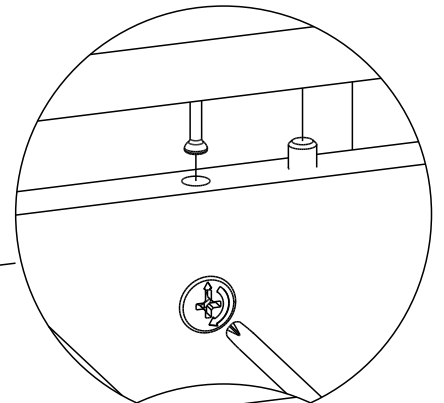
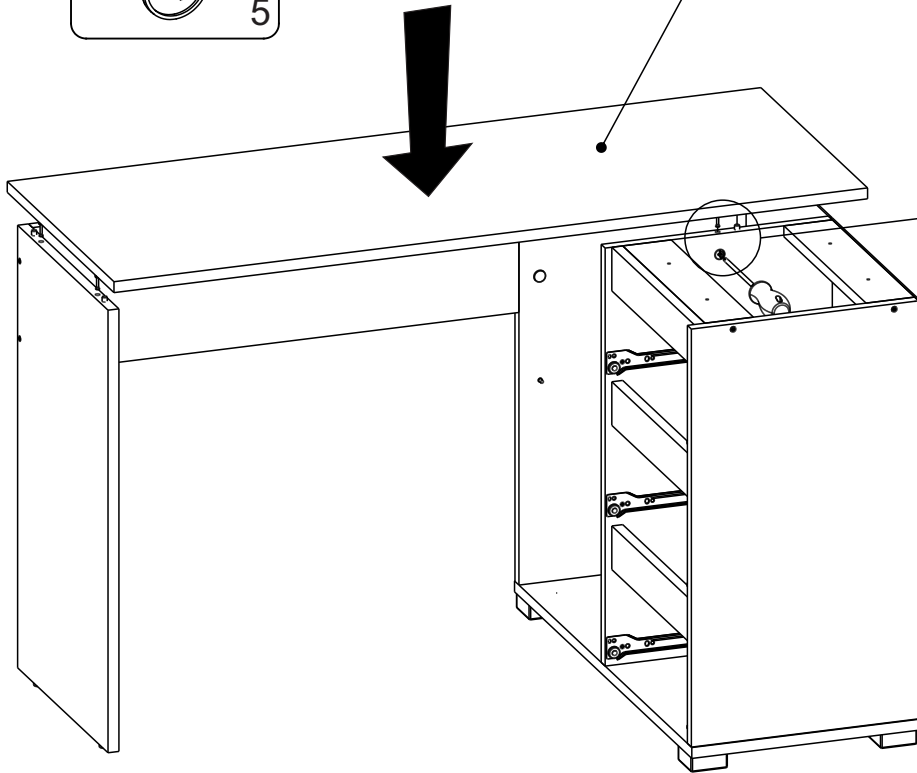
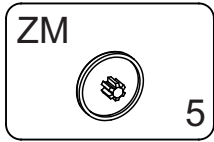
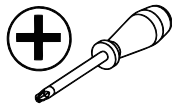
A=B



9

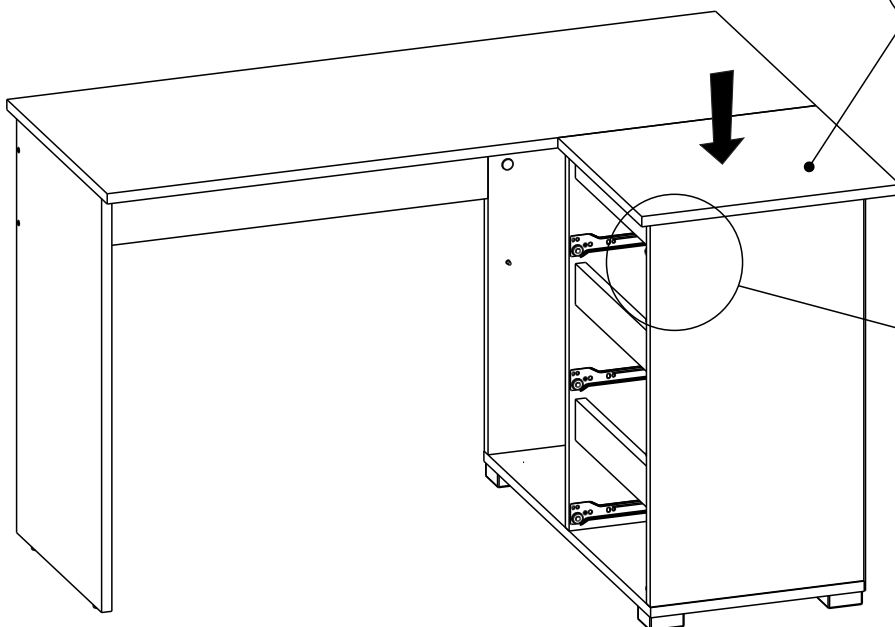
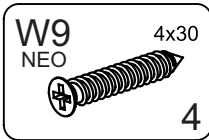
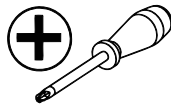


10

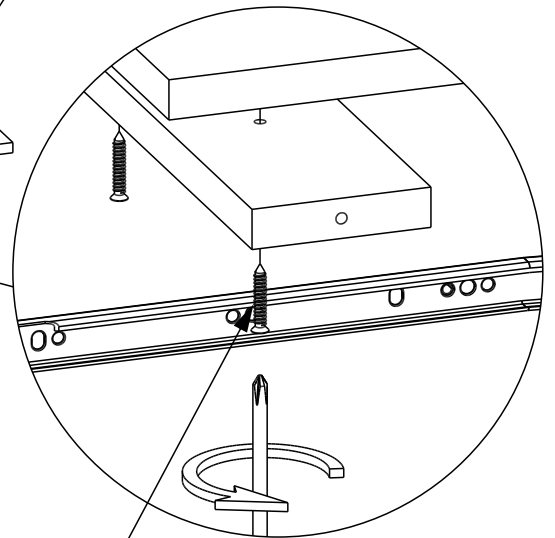


ZM

11

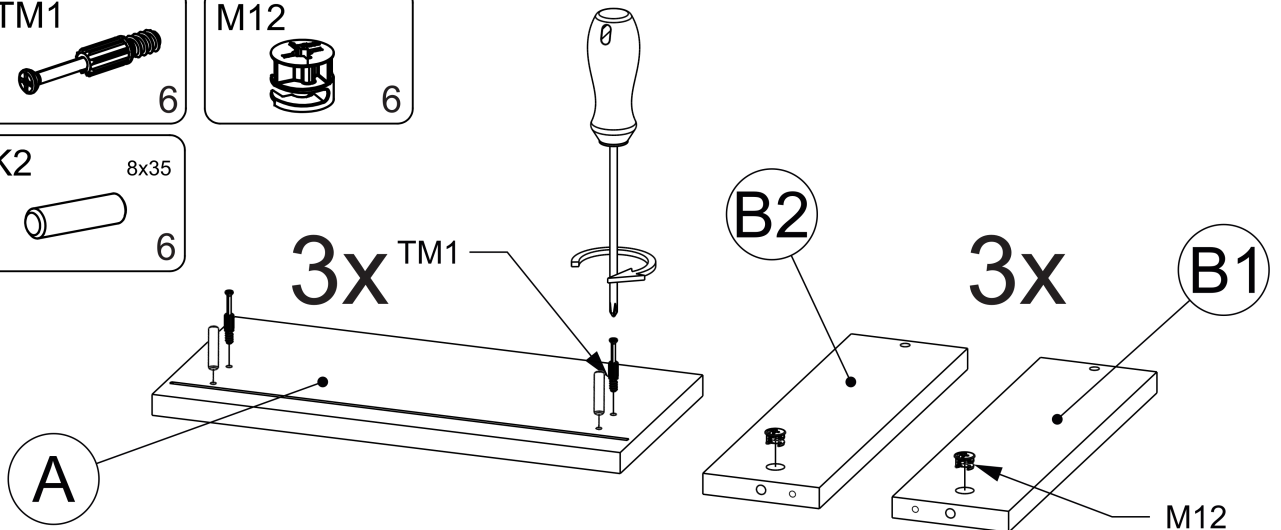
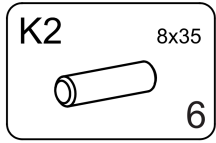
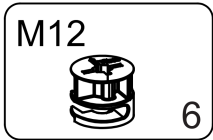
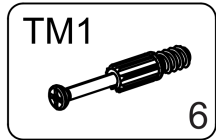
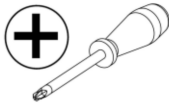


2

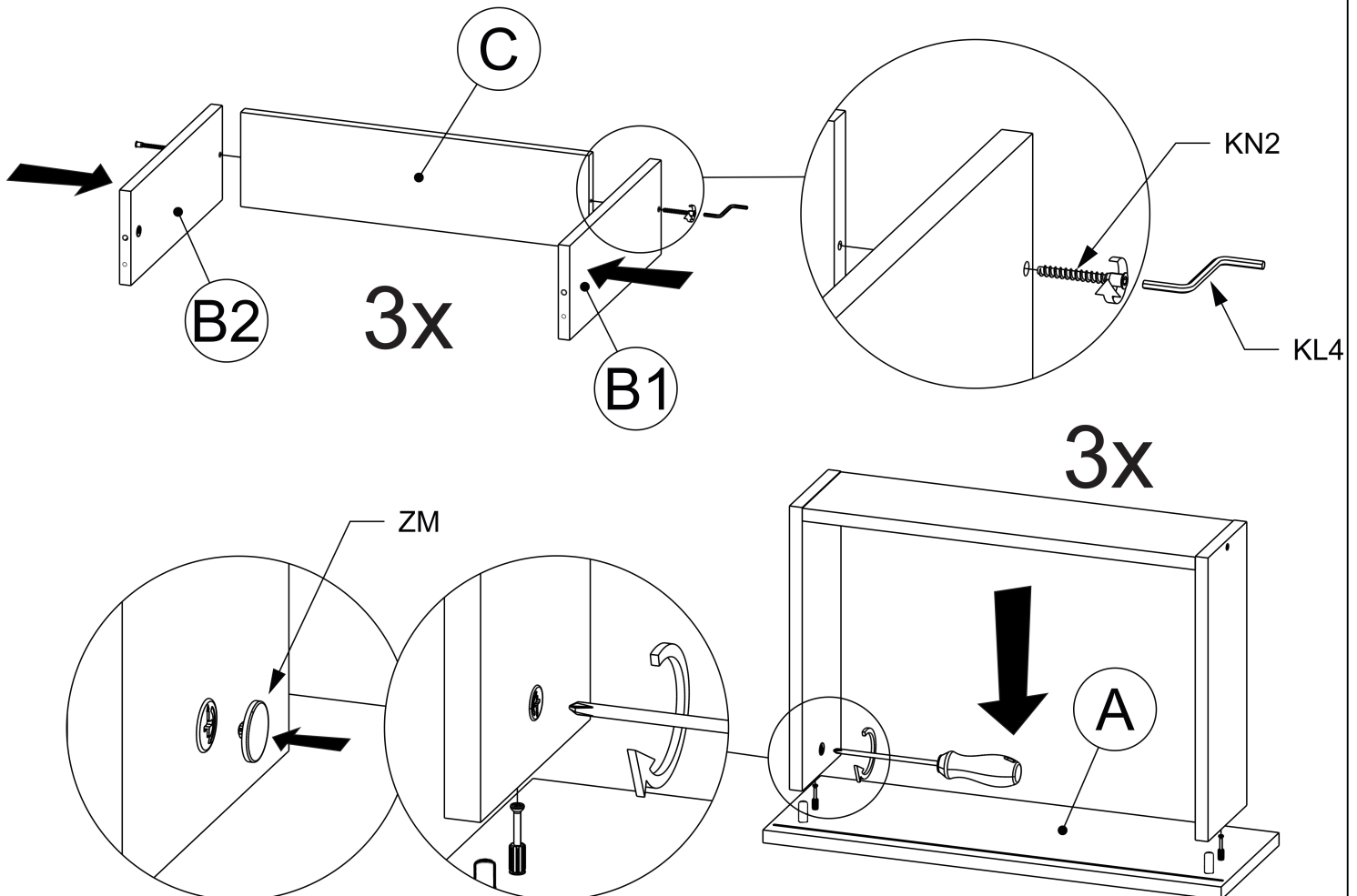
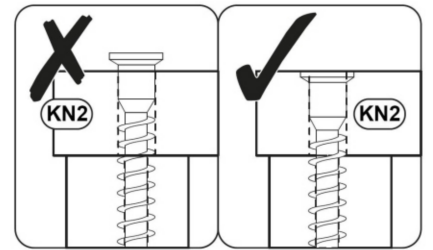
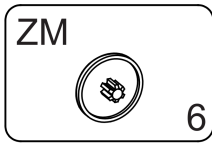
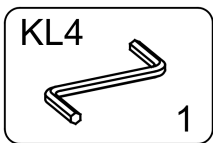
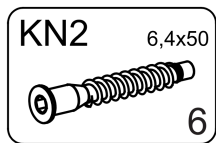
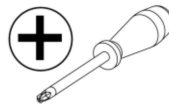


W9

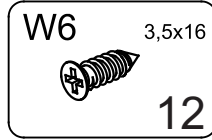
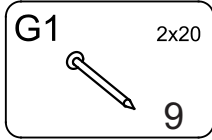
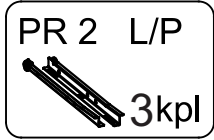
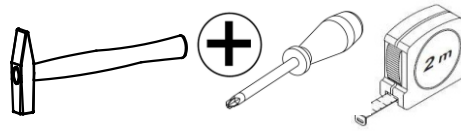
12



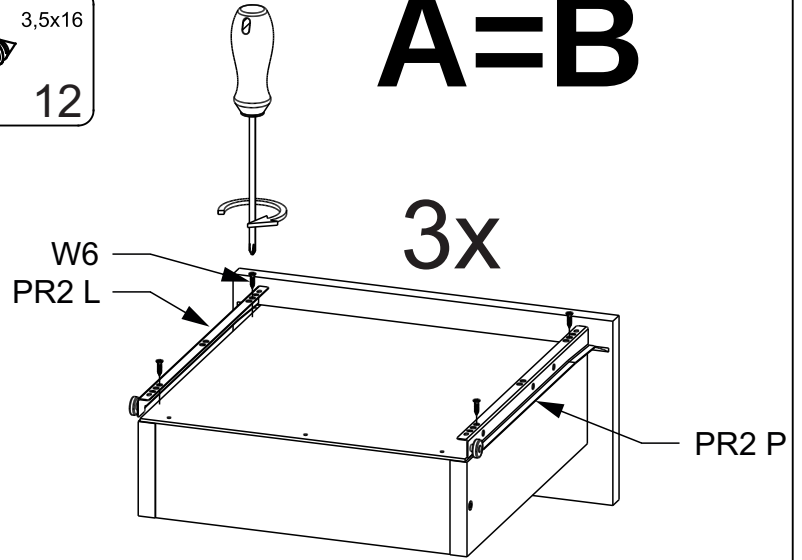
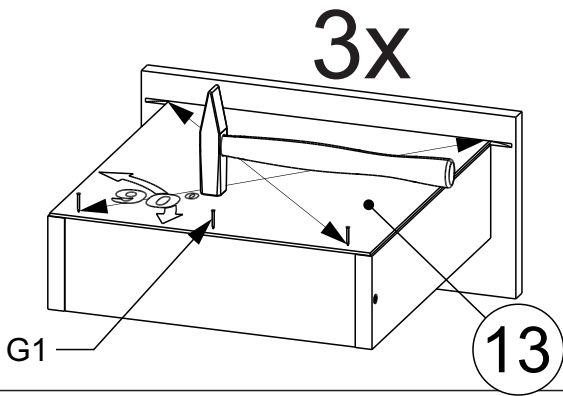
13



14



A=B



15

